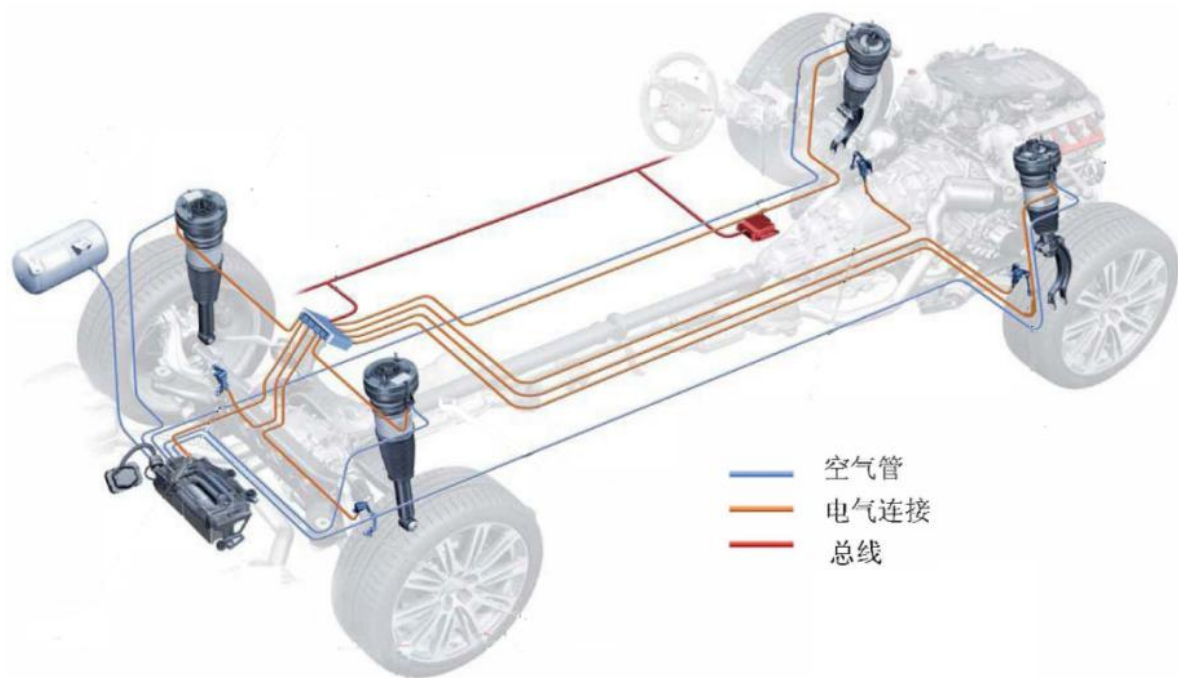


# Shandong Youkey Auto Parts Manufacturing Co., Ltd

## 山东永祺汽车配件制造有限公司



Company  
Introduction

A

Our Strengths

B

Products Show

C

Inspection

D

Production Base

E

**Shandong Youkey Auto Parts Manufacturing Co., Ltd.** was established in 2011, is a professional R & D, production and sales of air suspension system products manufacturing enterprises. Our main products are: **EGR valve, CDC shock absorber, air spring, air suspension compressor, height sensor and so on.**

The company covers an area of 20 acres, the existing staff more than 100 people. The company is based on the main automotive technology, main components self-made, assembly and system integration.

We have excellent technology and engineering team and strict quality standard, quality is our mission.



# Our Strengths

1.Height adjustable control strategy built in a variety of working conditions

- 2.Control strategy of open loop and closed loop air supply system

3.Advanced damping control strategy

- 4.Solenoid valve type and magnetorheological type continuous adjustable damping

5.We have the most experienced r&d and production team of suspension products in China.

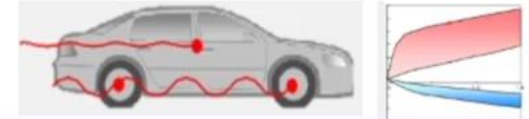
- 6.Products sold all over the world, professional customer experience effect.

7.Suspension design and application experience for many years is our guarantee of product quality improve.

性能虚拟仿真设计\_空气弹簧系统控制策略

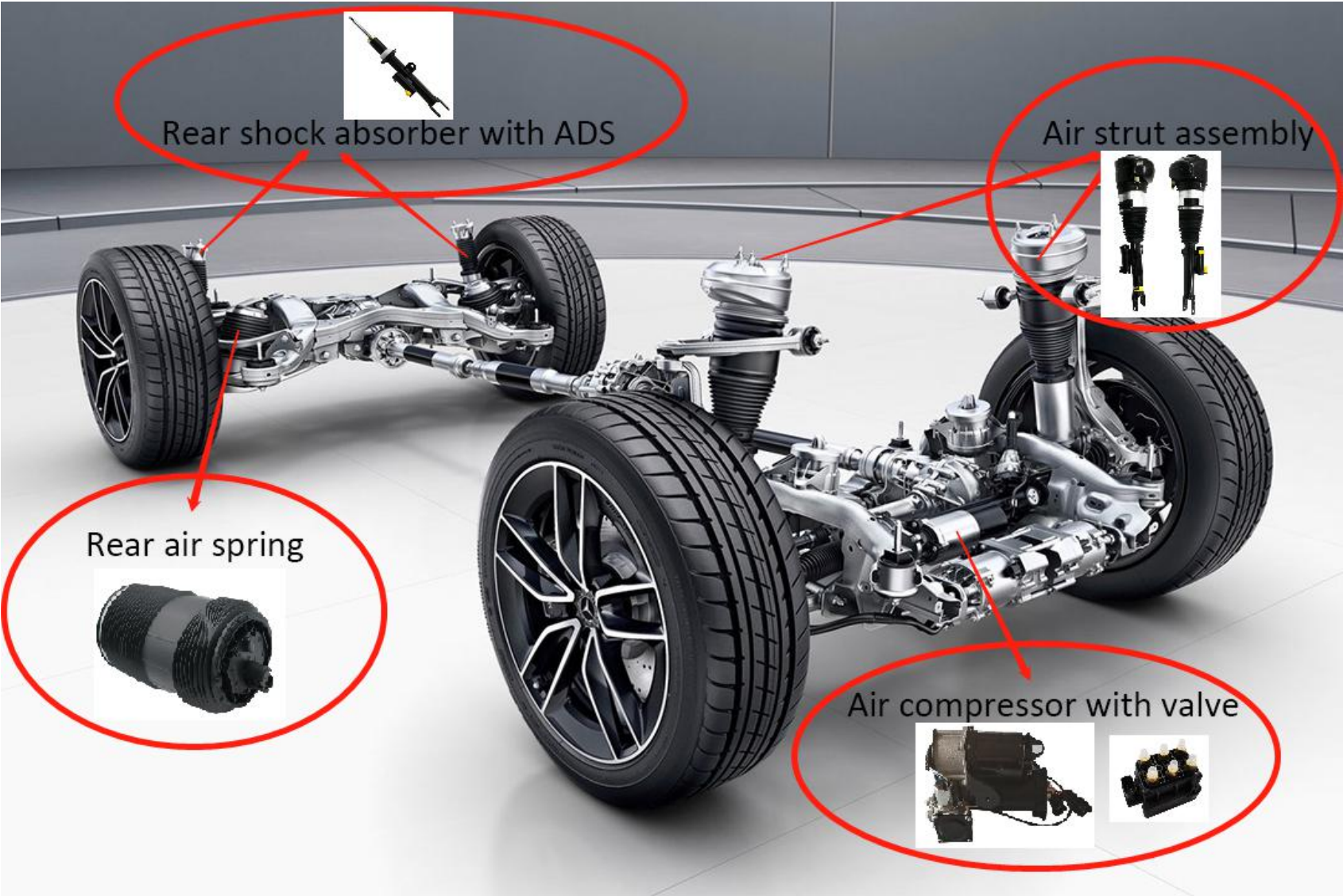


性能虚拟仿真设计\_控制策略框架





# Products Show



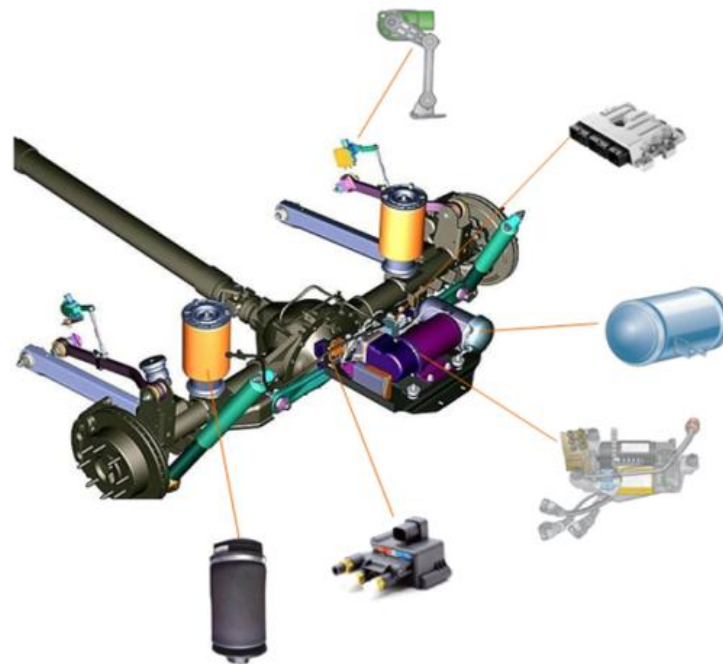
## No.1 : Height adjustable intelligent suspension AHC (2 rounds)

➤ Designed for large SUVs and MPVS;

(专为大型SUV和MPV研发)

➤ Made up:

- 1 or 2 height sensors;
- A controller ECU;
- An electric pump;
- 1 pcs 3 league valve;
- 1 pcs air tank;
- Rear the two air spring;
- Adjustable rear axle height mode;
- Car rear axle real-time automatic leveling height;
- Car rear axle loading and unloading mode, facilitate the transport of goods.



## No.2 : Height adjustable intelligent suspension AHC (4 rounds)

➤ Designed for Comfort and trafficability characteristic;

(专为以舒适性、通过性为主要目标的产品)

➤ Made up:

- 4 height sensors;
- A controller ECU;
- An electric pump;
- 1 pcs 5 league valve;
- 1 pcs air tank;
- Front the two air spring;
- Rear the two air spring;
  
- Adjustable height mode;
- Car's height is adjusted with speed;
- Car height is automatically levelled by 4 wheels.

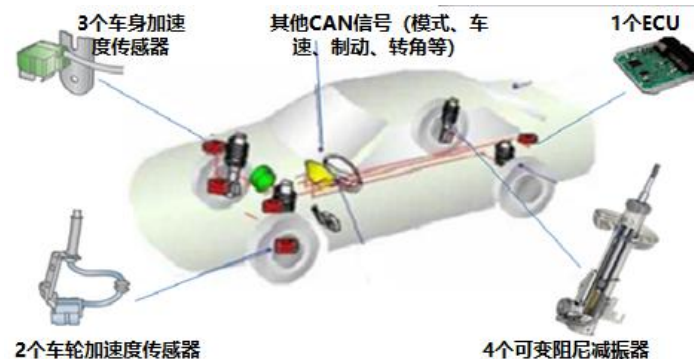


## No.3 : Continuous adjustable damping intelligent suspension CDC

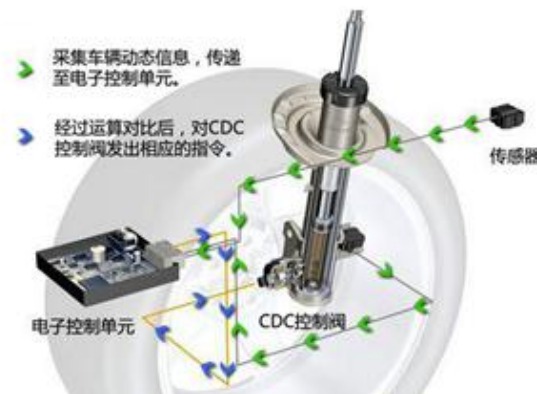
➤ Designed for Comfort and handling stability;  
(专为以舒适性和操纵稳定性及低成本为主要目标的产品)

➤ Made up:

- 3 car body acceleration sensors;
- 2 wheel acceleration sensors;
- A controller ECU;
- 4 pcs adjustable damping shock absorber



- Adjustable hardness for damping shock absorber;
- Keep the car in position;
- Reducing car braking nods;
- Reducing turning roll;
- Reducing accelerating upward;
- Keep good stability and comfort.





## No.4 : eight adjustable + continuous adjustable damping intelligent suspension

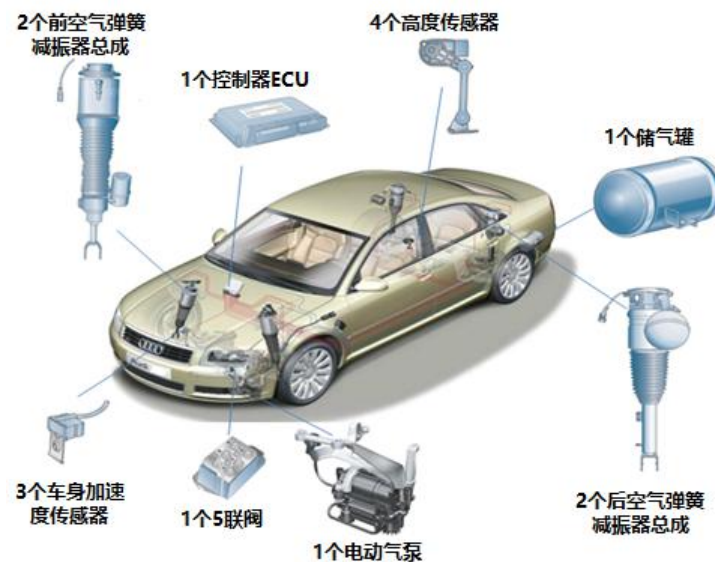
➤ Designed for Comfort, handling stability and lowcost;

(专为以舒适性和操纵稳定性为主要目标的产品)

➤ Made up:

- AHC;
- CDC;
- CSC;

- Adjustable hardness for damping shock absorber;
- Car height adjustment with speed;
- Keep the car in position; reducing car braking nods, turning roll, accelerating upward and so on;
- Keep good stability and comfort.



# Core component platform

Valve Block



Air spring



Air Compressor



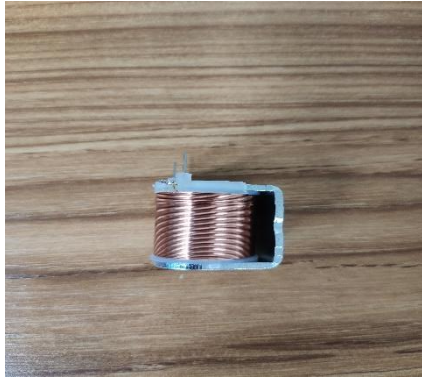
CDC Shock Absorber



Air Strut



Winding welding is neat



The winding is disorderly and the resistance is unstable



Compare

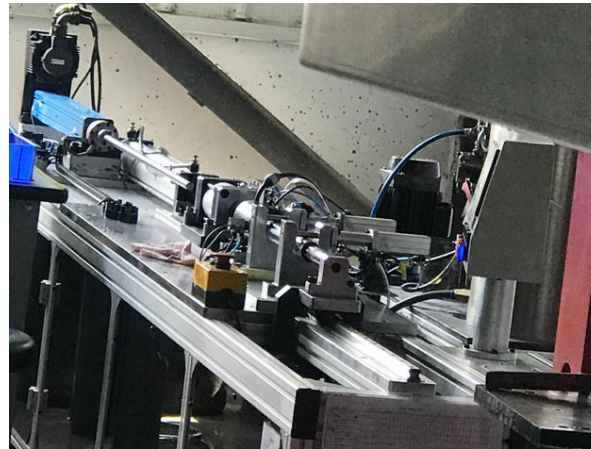
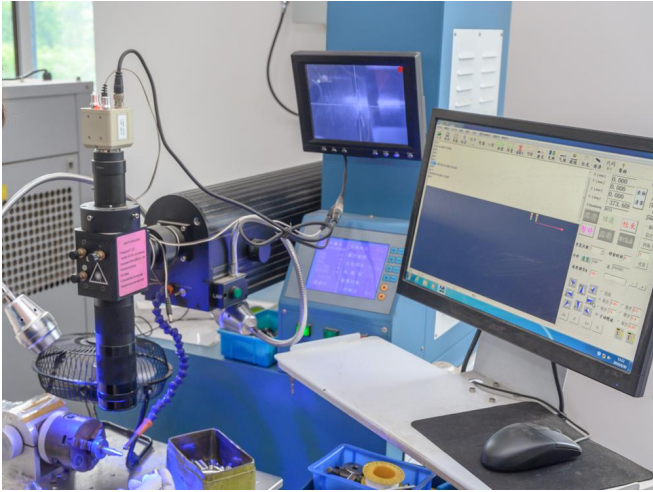


Weld all the whole



The spool is not welded and there will be air leakage

# Inspection





# Production Base





**Welcome to visit our factory**